

F520HP

High pressure leak detector for production testing



- ✓ **TEST PRESSURE:
UP TO 80 BAR**
- ✓ **COMPACT FORMAT**
- ✓ **OPTIMISED MEASUREMENT**
- ✓ **HIGH SPECIFICATIONS
- COMPETITIVELY PRICED**
- ✓ **EASY SET-UP**

5 SERIES

Without any doubt, the smallest high-pressure leak detector on the market. Specially adapted for automatic, semi-automatic or manual operation, the **F520HP** has a comprehensive range of standard specifications as well as a complete package of options and accessories.



Main features and characteristics

- Differential mode pressure drop leak measurement
- 1 leak detection range (ΔP) P.E. : 5 000 Pa
- Test modes:
 - ΔP (Pa, $1/10$ Pa)
 - $\Delta P / \Delta t$ (Pa/s, $1/10$ Pa/s)
 - flow units (mm³/s, cm³/s, cm³/min, cm³/h)
 - blockage test
 - and others depending on your application
- 16 programs
- **Serial links:**
 - RS232: printer, P.C. and parameter storage modules
 - RS232: RC5 remote control
 - RS485: Networking with C540, C545 or F580
- **And:**
 - Time and date display, choice of languages and units, customisation of tests for your requirements, automatic measurement cycle...



Applications



Catheters, refrigeration parts, oil radiators, HP tubes and pipes, valves, hydraulic brakes...

Options

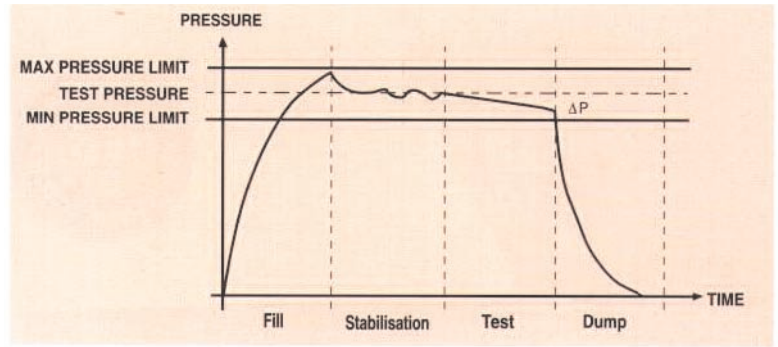
- 7 local inputs / 5 local outputs
- Electronic regulator
- 6 24 V programmable outputs for external automation
- 2 analogue outputs:
0 - 10 V or 4 - 20 mA
- Can be networked with:
C540, C545 and F580.
- Profibus Fieldbus converter



Measurement principle



Configuration and results storage module (accessories)



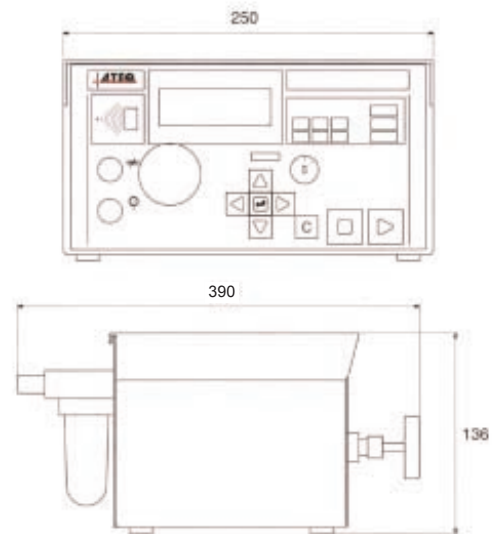
Measurement range

PRESSURE MEASUREMENT		
RANGE	ACCURACY	MAXIMUM RESOLUTION
40 bar	± 2.5 % + 1 Pa	0.01 bar
80 bar	± 2.5 % + 1 Pa	0.01 bar

ΔP MEASUREMENT		
RANGE	ACCURACY	MAXIMUM RESOLUTION
5 000 Pa	± 1% P + 2 digits	1 Pa

MECHANICAL PRESSURE REGULATION
80 bar

ELECTRONIC PRESSURE REGULATION
40 bar



Technical specifications

- **Presentation**
Weight: about 9 kg
- **Interface**
Navigation keys
4 line LCD display
Results indicators
- **External power supply**
Power: 24 V DC / 1,6 A
Mains power supply 110 - 230 V AC supplied
- **Air supply**
It must imperatively be clean and dry
Air quality standard to be applied (ISO 8573-1)
- **Temperature**
Operating : + 10°C to + 45°C
Storage : 0°C to + 60°C

- Accessories**

 - Start/Reset remote control
 - RC5 remote control
 - Printer
 - Parameter storage modules
 - ATEQ software
(WINATEQ - S5 DEMO)
 - Needle valve
 - Master leak
 - Filtration kit
 - Sealing connectors

Please refer to ATEQ accessories list



Head Office:
15, rue des Dames - ZI des Dames - 78340 Les Clayes-Sous-Bois - France
© : + 33 (0)1 30 80 10 20 - Fax : + 33 (0)1 30 54 11 00 - e-mail : info@ateq.com
www.ateq.com