

# G520

## Compact leak detector with continuous flow



- ✓ NEW COMPACT FORMAT
- ✓ OPTIMISED MEASUREMENT
- ✓ HIGH SPECIFICATIONS - COMPETITIVELY PRICED
- ✓ EASY SET-UP

## 5 SERIES

**W**ithout any doubt the smallest high-performance continuous flow detector on the market.

Specially adapted for automatic or semi-automatic test machines, the **G520** has a full range of specifications with all the 5 series innovation at a very competitive price.



### Applications



**Gas industry:**  
cookers, gas float, heat exchangers for boilers, taps...

**Automotive industry:**  
small volume parts, injection rails, filter caps...



### Main Features

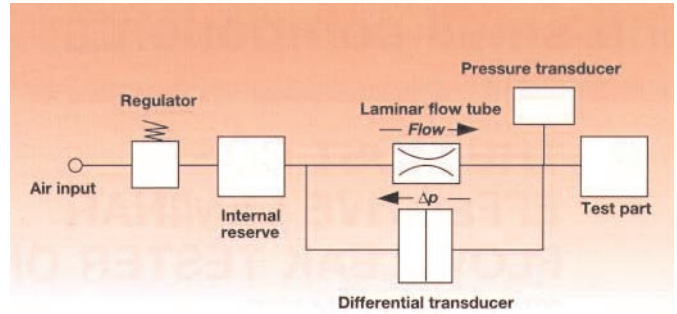
- Continuous flow leak detection
- 2 flow measurement range: 100 or 1000 cm<sup>3</sup>.atm/h
- Temperature correction
- Measurement flow returned to standard conditions
- Calculation of the test part volume
- Measurement element fully integrated into one module
- Automatic start
- 16 programs
- **Serial links:**  
RS232: printer, P.C. and saves modules  
RS232: intelligent remote control RC5
- And:  
Time and date display, choice of languages and units, customisation of tests for your requirements....

### Options

- 7 inputs / 5 outputs
- 2 Quick connectors for calibration checking
- 2 pneumatic outputs for control of sealing connectors
- 6 x 24 V programmable outputs for external connection
- 2 analogic outputs current or voltage



## Principe de Mesure

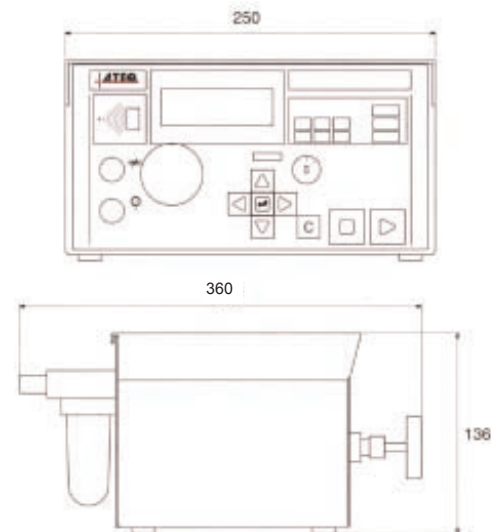


## Measurement ranges

| FLOW MEASUREMENT            |  |                            |
|-----------------------------|--|----------------------------|
| RANGE                       | ACCURACY   | MAXIMUM RESOLUTION         |
| 100 cm <sup>3</sup> .atm/h  | ± 3,5 % of the value<br>+ 0,2 cm <sup>3</sup> .atm/h | 0,1 cm <sup>3</sup> .atm/h |
| 1000 cm <sup>3</sup> .atm/h | ± 3,5 % of the value<br>+ 0,5 cm <sup>3</sup> .atm/h | 1 cm <sup>3</sup> .atm/h   |

| PRESSURE MEASUREMENT |                             |                    |
|----------------------|-----------------------------|--------------------|
| RANGE                | ACCURACY                    | MAXIMUM RESOLUTION |
| 5 - 50 kPa           | ± 1% of Pressure ± 2 digits | 0,1% of full scale |

| MECHANICAL PRESSURE REGULATION |  |  |
|--------------------------------|--|--|
| 5 - 50 kPa                     |  |  |



## Technical Specifications

- **Presentation**  
Weight: approximately 4 kg
- **Interface**  
Navigation keys  
4-line LCD display  
Results indicator lights
- **External electrical supply**  
Voltage: 24 V DC / 2 A  
Main adaptater included (110 - 240 V AC)
- **Air supply**  
Clean and dry air required  
Air quality standard to be applied (ISO 8573-1)
- **Temperature**  
Operating : + 10°C to + 45°C  
Storage : 0°C to + 60°C

### Accessories

- Start/Reset remote control
- Intelligent remote control RC5
- Printer
- Parameter and results storage modules
- ATEQ software (WINATEQ - S5 DEMO)
- Needle valve
- Master leak
- Filtration kit
- Vaccum pump
- Sealing connectors

Please refer to ATEQ accessories list



Headquarter:  
15, rue des Dames - ZI des Dames - 78340 Les Clayes-Sous-Bois - France  
© : + 33 (0)1 30 80 10 20 - Fax : + 33 (0)1 30 54 11 00 - e-mail : info@ateq.com  
www.ateq.com